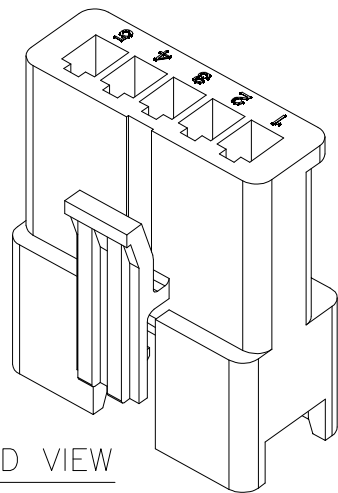
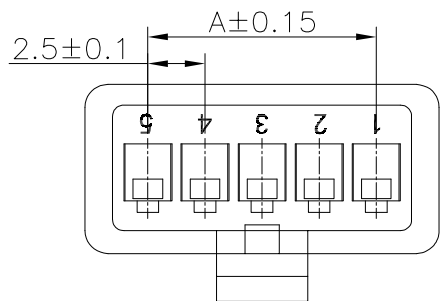
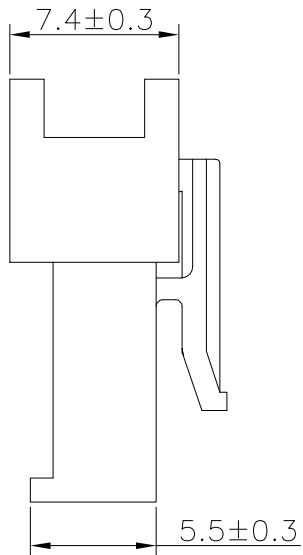
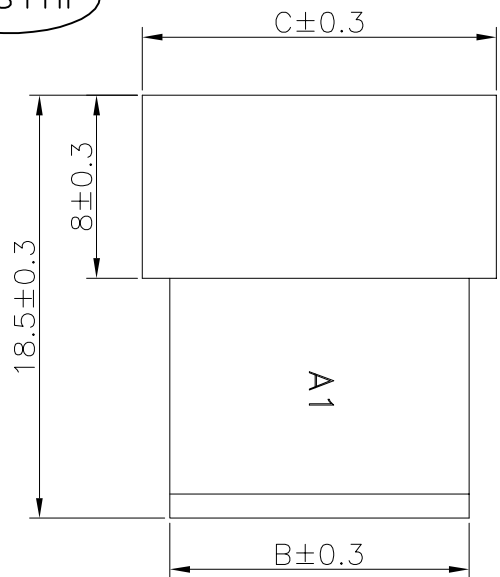


The product using material and processing must conform to the "WI-PZ-001"HSF technical standard control requirements

RoHS+HF



3D VIEW

NOTE:

- 1.MATERIAL SPECIFICATION:
 - 1-1.HOUSING: PA66,UL94V-0
- 2.MECHANICAL PERFORMANCE:
 - 2-1.RETENTIVITY FORCE: 2.0KGF/pin min
 - 2-2.DURABILITY: 50 CYCLES.
- 3.ELECTRICAL PERFORMANCE:
 - 3-1.CURRENT RATING: 3.0A
 - RATED VOLTAGE : 250V AC/DC
 - 3-2.CONTACT RESISTANCE: 20 mΩ MAX
 - 3-3.INSULATION RESISTANCE: 500MΩ Min
 - 3-4.DIELECTRIC WITHSTANDING : 1500V AC
- 4.ENVIRONMENTAL PERFORMANCE:
 - 4-1.OPERATING TEMPERATURE: -25°C~+85°C.
- 5.PACKAGE SPEC: PE BAG

6.P/N: C2521 H 1 F-1 XX X 0

SERIES NO: H 1 F-1 XX X 0

CONNECTOR: H HOUSING

TYPE CODE: F-1 XX X 0


MALE FEMALE: F-FEMALE

COLOR: A-BLACK, K-WHITE, S-NATURE

PIN Q'PY: 02~12

ROW NO: 1-SINGLE ROW

Circuits	Dimensions(mm)			Circuits	Dimensions(mm)		
	A	B	C		A	B	C
02	2.50	5.60	8.00	08	17.50	20.60	23.00
03	5.00	8.10	10.50	09	20.00	23.10	25.50
04	7.50	10.60	13.00	10	22.50	25.60	28.00
05	10.00	13.10	15.50	11	25.00	28.10	30.50
06	12.50	15.60	18.00	12	27.50	30.60	33.00
07	15.00	18.10	20.50				

REV.	REVISION RECORD	DATE	UNIT:mm	GENERAL TOLERANCES		SCALE:	NAME	DATE	PART.NO:	DWG.NO:	 WanLian Technology Co., Ltd
A0	NEW RELEASE	21.01.13		0.00±0.25	X'±3'	1:1	Wang_jr	21.01.13	C2521H1F-1XXX0	ENDE05	
			0.00±0.35	X*REF±6'		Han_Gao	21.01.13			REV: A0	SHEET: 1/1
			0.00±0.10	X*X' ±2'		LongCan_Liu	21.01.13	TITLE: Pitch 2.5mm 180°SM 单排母胶壳			